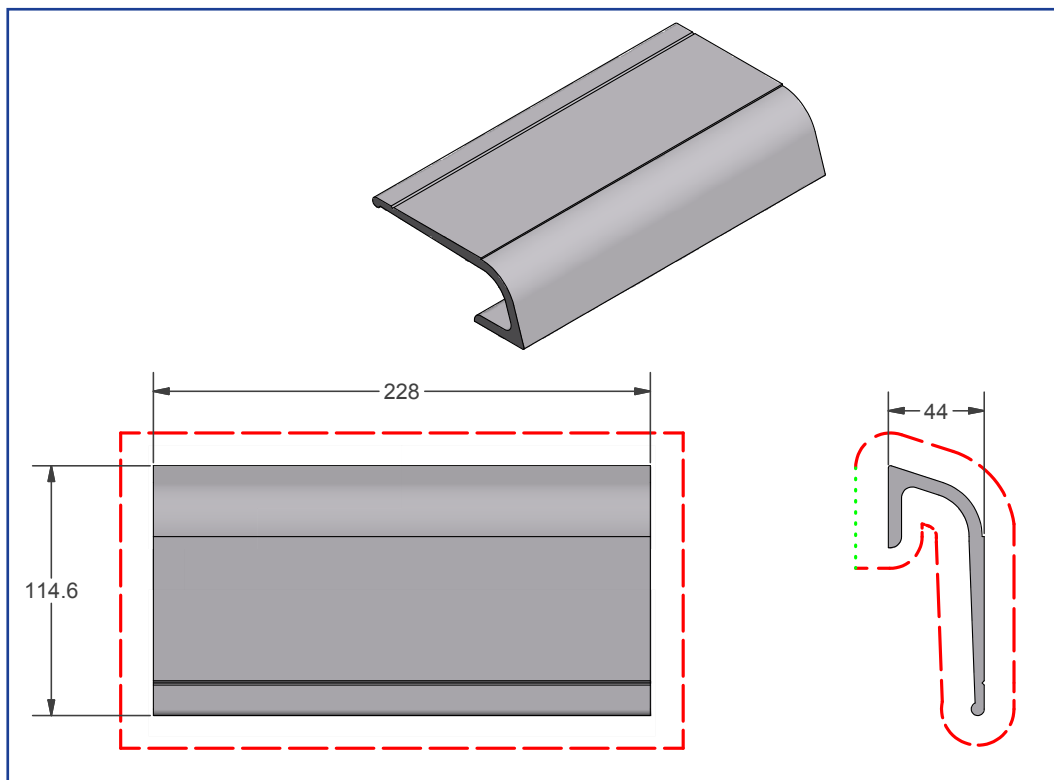
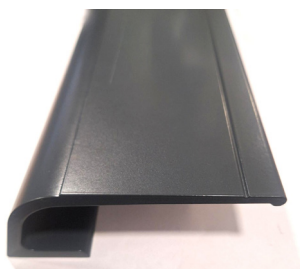
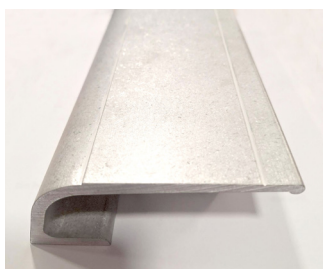


COMMERCIAL DOOR PAD HANDLES

- ❖ Overall length 227mm
- ❖ 50mm projection
- ❖ Available in satin anodised, powder coated, nylon coated and mill finishes.



For further assistance, call 01702 899440

www.alu-tec.co.uk

Fletchers Square, Temple Farm Industrial Estate, Southend-on-Sea, Essex SS2 5RN